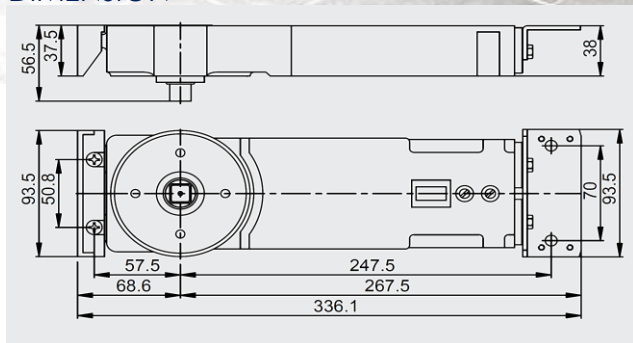


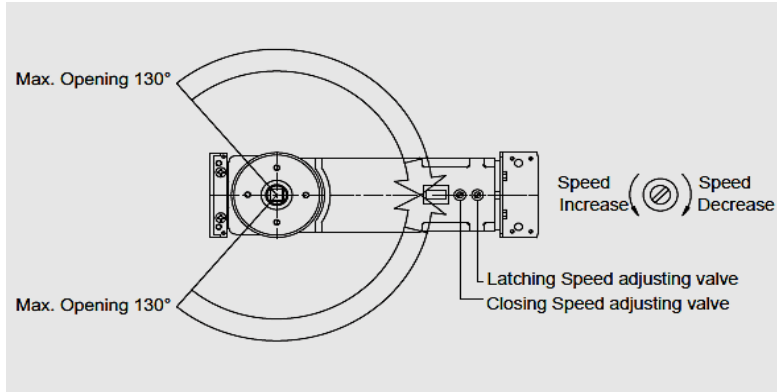
# TRANSOM CLOSER 690



## DIMENSION



## SPEED ADJUSTMENT



Square Insert  
For Patch Fitting



Frame Accessories  
For Aluminium Door

## ACCESSORIES

## FEATURES:

- Completely concealed in the aluminum transom bar in dimensions as small as 1-3/4"x4"
- Total hydraulic control with maximum opening angle 90°, 105° or 130° in each direction.
- Adjustment valves of swinging speed and latching speed are fully independent which will save time of adjustment.
- Securely designed speed adjustment valves protect closer from rough use or adverse weather conditions.
- The speed adjustment valves cannot be backed out of Closer when adjustment. The design eliminates oil leakage from the valves.

## TECHNICAL DATA:

Spring Tension		<i>Light</i>	<i>Medium</i>	<i>Heavy</i>
Door	width	30"	42"	48"
	height	96"	96"	96"
Maximum Opening	90°	●	●	●
	105°	●	●	●
	130°	●	●	●
Hold Open	90°	●	●	●
	105°	●	●	●
Hold Open		●	●	●

∇ : standard

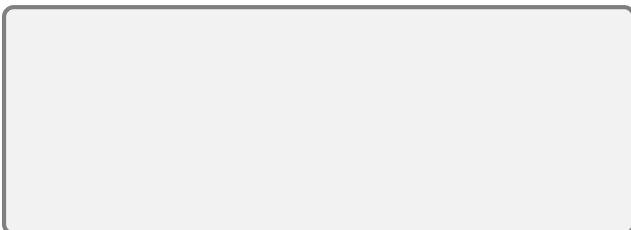
● : Option

Specify: 1. Spring Tension:

Light, Medium, Heavy

2. Hold Open Angle 90°, 105°, No Hold Open.

REPRESENTED BY :



**ACCESSCO**   **Think Green**

Total Integration In Entrance Solution

ACCESSCO LIMITED | United Kingdom | © 2017 ACCESSCO UK  
Rights Reserved For Changes Without Prior Notice. For  
Information & Illustration Purposes Only, Use At Own Discretion