



# SEMI AUTO SLIDING SSA100



## **DURABLE & RELIABLE**

The SSA100 braking device incorporates with a fluid friction resistance, one way clutch mechanism to ensure superb control and precise braking ability. The design of SSA100 is small and sleek yet durable, long lasting and reliable. TUV cyclic durability test compliance to EN1527 for 100,000 cycles and 500,000 cycles. Additionally, an in-house test of 1,000,000 cycles has been achieved.

## **HEAVY DUTY WITH WIDE VARIETY OF APPLICATION**

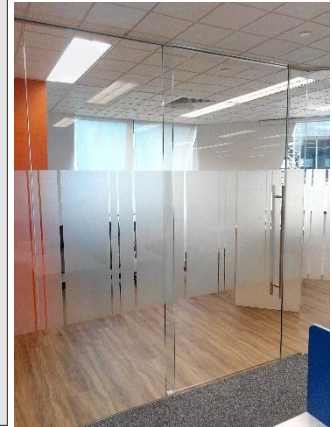
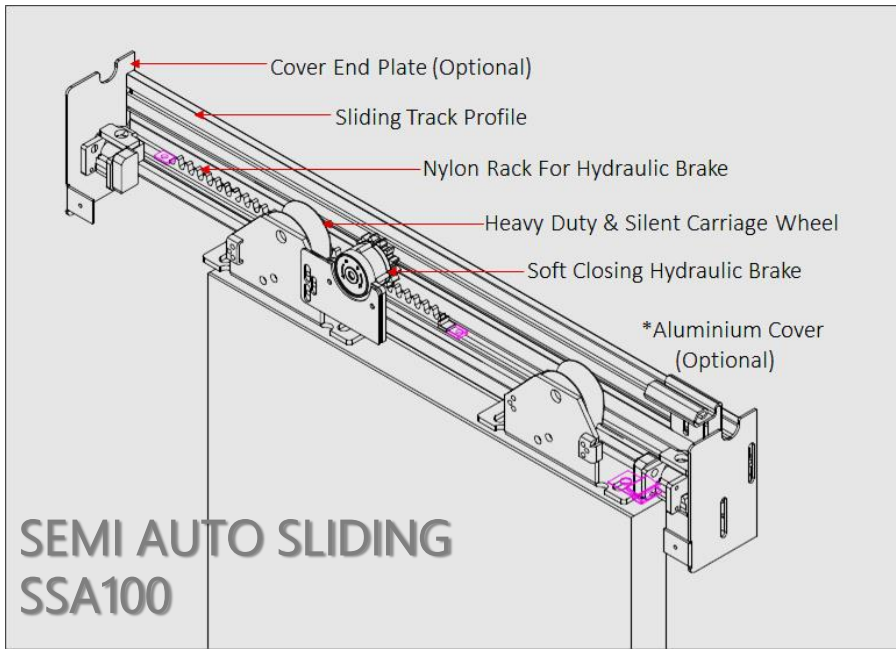
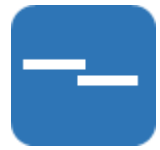
The SSA100 is designed for timber door, steel door, glass door aluminium door, etc. It is suitable for single-leaf and double-leaf and The SSA100 is suitable for heavy door from 60 ~130kg.

## **EASY INSTALLTION**

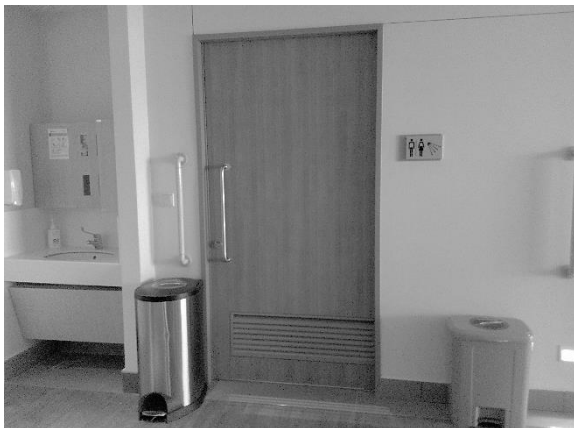
SSA100 is with very few components and the components are simply mounted on the track without the need of complicated adjustment. For installation, there is no specific training required.

## **EASE OF CONVERTING LEFT & RIGHT OPENING**

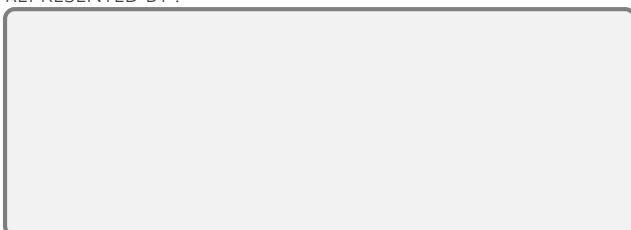
The SSA100 can be easily converted to left or right opening on site without the need of changing any components.



SPECIFICATION	ACCESSCO SEMI AUTO SLIDING SSA100
Model	SSA100
Opening Width	700mm to 1500mm
Sliding Track Length	2000mm 2400mm 3000mm *3600mm *4000mm
Door Weight	60kg to 130kg
Closing Method	Gravity Method (Inclination) or *Parallel Sliding
Track Inclination	12mm Per 1000mm Distance
Braking Method	Fluid Friction Resistance (Hydraulic Braking)
Cover	Aluminium Cover with End Plate (Optional)
Adjustable Time	6sec to 11sec Approximately Based on 900mm Opening Width
Cyclic Durability Test	TUV EN1527 100,000 / 500,000 & In-House Over 1,000,000 Cycle



REPRESENTED BY :



**ACCESSCO**  
Total Integration In Entrance Solutions



ACCESSCO LIMITED | United Kingdom | © 2019 ACCESSCO UK  
Rights Reserved For Changes Without Prior Notice. For  
Information & Illustration Purposes Only, Use At Own Discretion