

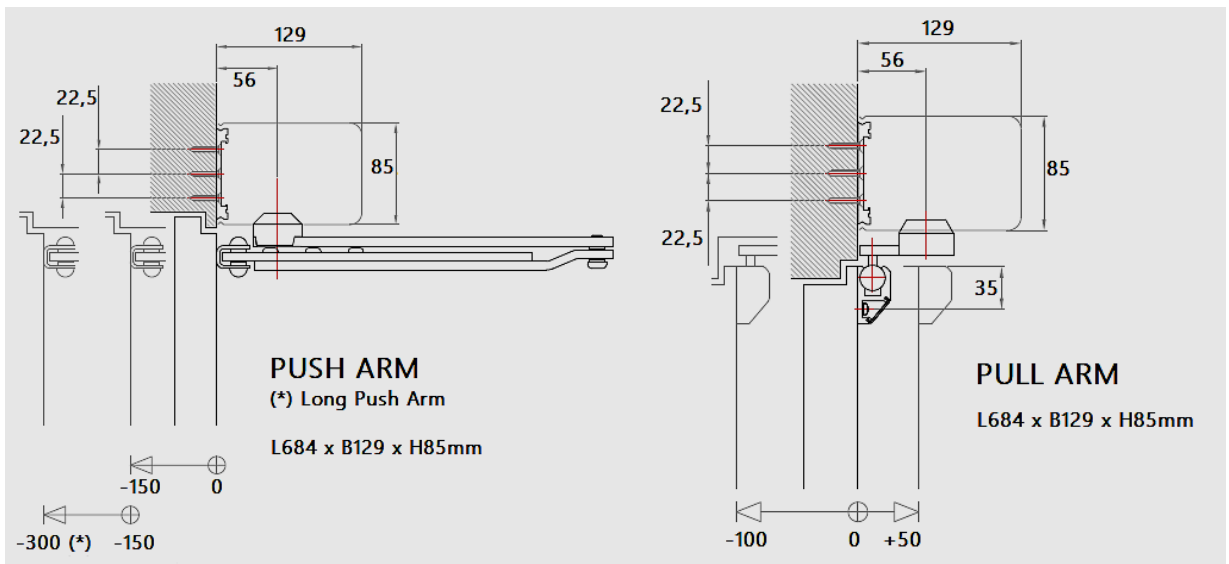


AUTOMATIC SWING EZ-SW



ACCESSCO Automatic Swing Door Operator EZ-SW is specially designed with highly sophisticated technology yet a compact design, for day-to-day continuous opening & closing intensive service. It is suitable to operate heavy and large doors, easy installation and simple to operate.

- ▶ Heavy duty
- ▶ Low energy mode
- ▶ Reduced speed and accelerations for environments used by people with limited and slow reaction capabilities, according to specific regulations and directives
- ▶ PUSH & GO mode
- ▶ Optional opening with remote control
- ▶ Compatible with different activation devices, safety sensors and security system
- ▶ Built-In Switch ON/OFF
- ▶ Built-In Switch standard 3 logics AUTO / OPEN / OFF
- ▶ Easy and intuitive parameters adjustment with double display on control board
- ▶ Working with different models of electric lock / magnet
- ▶ Cover in anodized aluminium, available on request RAL finishing
- ▶ Synchronized double door operators
- ▶ Optional connection to BMS (Building Management System)
- ▶ High torque value
- ▶ Force adjustment on the closing direction to suit various lock types.
- ▶ Parameters adjustments for opening and closing in different environmental conditions, wind or pressurized rooms.
- ▶ TUV Cyclic Movement Endurance Test 500,000 & 1,000,000 cycles
- ▶ TUV Fire Resistance 2 Hours Test



OPENING WITH MOTOR, CLOSING BY SPRING

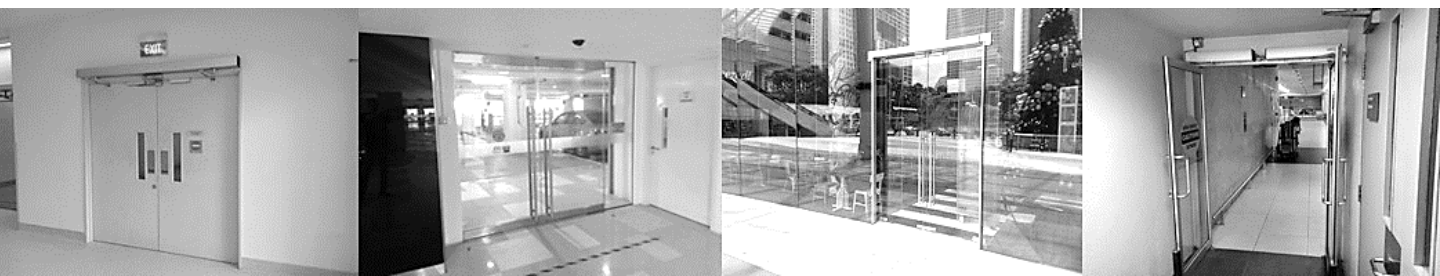
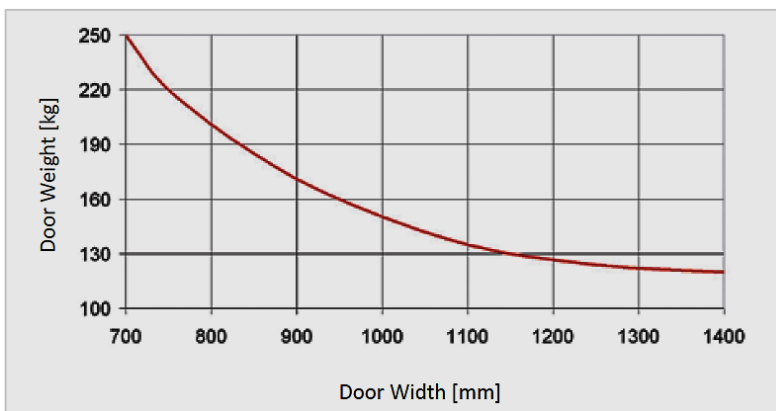
Universal, mostly used when the door has to close in case of power failure. In this case, the EZ-SW Swing Operator works as a mechanical door closer.

Parameters adjustment with double display and button on control unit, dip-switches or pc interface.



TECHNICAL SPECIFICATION

Mains Connection	230V AC 50 / 60Hz	
Power Consumption	85 W	
External Supply Voltage	12V DC - 12W Max	
Integrated Programme Switch	Permanently Open ~ OFF ~ Auto	
In The Event Of Power Failure	Door Closer Function	
Drive Dimension	Height 85mm x Width 129mm x Length 684mm	
Clear Opening Width	Singleleaf	700mm ~ 1400mm
	Doubleleaf	1400mm ~ 2800mm
Closing Force	EN3 ~ EN6	
Maximum Weight Per Leaf	250kg	
Hold Open Time	0 - 60sec	
Door Opening Angle	110 Degree	
Operating Temperature	-10°C ~ +55°C	
Protection	IP40	
Durability	TUV Cyclic Endurance Test To 500,000	
	TUV Cyclic Endurance Test To 1,000,000	
Fire Resistance	TUV Fire Test To 2-Hour	



MAINTAINING SMOOTH OPERATION WHILE KEEPING IT SAFE



In April 2013, the European Union has introduced a new regulation with regards to the safety of pedestrian in the use of power operated doors. The EN 16005 covers the same level of pedestrian protection in power operated doors throughout the entire European region for every new installation.

While this standard considers all parts of powered entrances as potential danger zones during opening and closing, ACCESSCO Automatic Door Operator is equipped with necessary components, activation devices and safety sensor to avoid any potential accidents and to maximise the traffic flow. Safety is also further enhanced by our soft closing feature.

ACCESSCO technical division is specially trained to manage new installations as well as renovation and retrofitting projects by advising customers on installation upgrades. Our specialised maintenance team will assist you to ensure a smooth and safe operation of your automatic door to optimise its life span. With only ACCESSCO original spare parts replacement, you will have a peace of mind at a low operating cost.

ACCESSCO Automatic Door Operator have been continuously enhanced and tested to best fit your day-to-day needs and ensuring your fullest safety. ACCESSCO Automatic Door Operator is in compliance with the present European standards and directives as the EN16005, DIN 18650, CE.



USER FRIENDLY & SUITABLE FOR :



DISABLED



ICU / CCU



HEALTHCARE



RETAIL

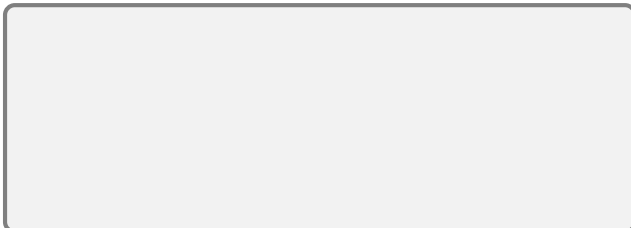


TRANSPORT



HOSPITALITY

REPRESENTED BY :



ACCESSCO
Total Integration In Entrance Solutions



ACCESSCO LIMITED | United Kingdom | © 2019 ACCESSCO UK
Rights Reserved For Changes Without Prior Notice. For
Information & Illustration Purposes Only, Use At Own Discretion