

AUTOMATIC SWING DOOR TSA160



DIN 18650



Reliably open and close doors may sound simple but this requires highly sophisticated technology. The swing door system TSA160 makes sure that everything runs smoothly, day after day from second to second. At the same time it offers a maximum convenience and safety. The swing door systems TSA160 easily cope with the frequently tough duties of everyday functions, whilst maintaining safety.

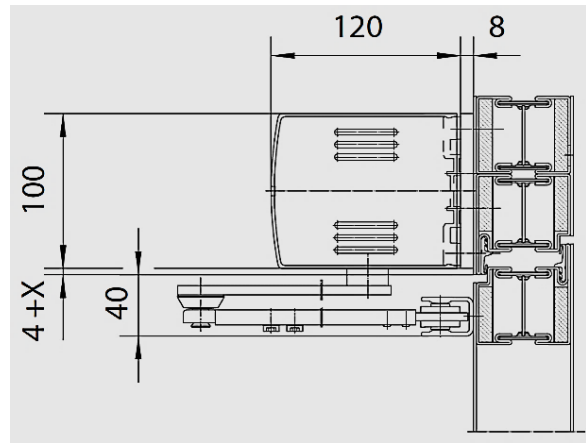
Where it is too cumbersome to operate a door by hand, the swing door system TSA160 takes over this job. This provides particular benefits in shops and department stores, hospitals and schools, in homes for the elderly or disabled, as well as in airports and railway stations. Where doors shut quickly, safely and tight, we can of course also expect a significant contribution to energy savings. Therefore, the tried and tested TSA160 system is frequently used for lobbies, entrances to workshops and cool rooms as well as for doors at the end of corridors. Likewise, where the highest demands are placed on hygiene, the ACCESSCO swing door actuators are frequently found.

The TSA160 actuators are the trusted solution for safety at work, access control as well as interlocks and of course this system fulfils the regulation DIN 18650. An additional safety feature are the ACCESSCO safety sensors, which control the opening and closing action. These sensors will stop the movement of the door in time, if people, animals or movable objects are within the swing opening range of the door. In emergencies they can save lives: The swing door systems are approved for the use on smoke and fire doors.



ADDITIONAL PRODUCT BENEFITS

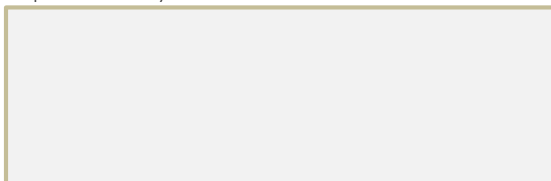
- Low maintenance requirements, high reliability and simple to adjust
- The closing force as well as the opening and closing speeds can be fully adjusted
- Leaf width up to 1400 mm / 1600mm
- Door leaf weight up to 250 kg / 310mm
- Can be fitted to right and left handed doors (pull or push) on hinge side and opposite hinge side
- Modern control systems with an energy-saving power supply
- Standard: Push & Go function can be activated and deactivated as required
- Type approved and certified in accordance with DIN18650, meets EN 954-1
- Integrated programme switch for the functions : Off, Automatic , Permanently Open.
- Operating mode "shop closing" can be realized with the help of an external program switch.
- Can be used in combination with the GEZE Secu-Logic emergency exits, access control system, building technology management system and smoke and heat extraction solutions
- European certification for use as smoke and fire-proof doors
- Double-leaf doors with integrated, invisible closing sequence control
- The use of very small secondary leaf opens up a large range of applications and thus flexibility of planning



TECHNICAL DATA

Mains Connection	230V 50/60Hz +10% / -14%		
Power Consumption	300VA		
Supply Voltage	24V DC 1200mA		
Integrated Programme Switch	Permanently Open ~ OFF ~ Auto		
In The Event Of Power Failure	Door Closer Function		
Drive Dimension	Height 100mm x Width 120mm		
Clear Opening Width	Singleleaf	700mm ~ 1400mm	1600mm
	Doubleleaf	1400mm ~ 2800mm	3200mm
Closing Force		EN3 ~ EN6	EN7
Maximum Weight Per Leaf		250kg	310kg
Hold Open Time	0 ~ 60sec		
Door Opening Angle	115 Degree		
Opening Speed	Via Hydraulic Valve		
Closing Speed	Via Hydraulic Valve		
Latching Action	Via Hydraulic Valve		

Represented By :



ACCESSCO

Total Integration In Entrance Solution



ACCESSCO LIMITED United Kingdom